



Information subject to change without notice. Consult the factory for the most current data and part numbers.

Component dimensions are shown in inches.

Cable Reel Datasheet

Overview

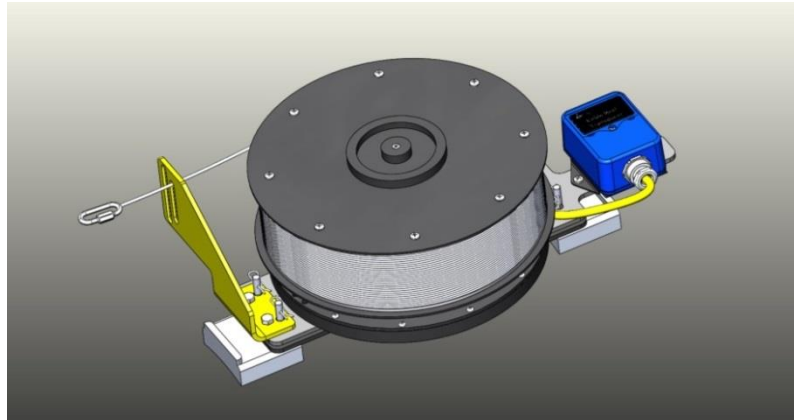
A wireless component which transmits positional information to a central display panel.

Operating time

100% (continuous duty)

Voltage type

Powered by a 3.6 volt D cell lithium battery



Operating temperature

-40°C to +60°C

Operating Frequency Range

900-928 MHz in North America

868-870 MHz in Europe

Material

Transducer material – Ultramid 8333G Hi-Polyamide 6

Seals – ROHS compliant silicon rubber, 60 durometer shore-A, compound # SIM40160

Anodized aluminum and stainless steel construction

High-tensile strength stainless steel cable, ¼" diameter

Connection

No connection, component provides a wireless signal

Mounting options

Mounting brackets are custom fit to the equipment monitored

Hazardous locations

Exia IIB T4 Intrinsically Safe per IEC CAN/CSA E60079-11:02

Cranesmart Systems, Inc.
4908 97 St.
Edmonton, AB
T6E 5S1
Ph: 780.437.2986
Email: info@cranesmart.com