



Information subject to change without notice. Consult the factory for the most current data and part numbers.

Component dimensions are shown in inches.

Line Rider Datasheet

Overview

A wireless component that detects how much weight is suspended by the blocks. It remains accurate over time and through temperature extremes

Operating time

100% (continuous duty)

Voltage type

Powered by a 3.6 volt D cell lithium battery

Operating temperature

-40°C to +60°C

Operating Frequency Range

900-928 MHz in North America

868-870 MHz in Europe

Material

Body material – Ultramid 8333G Hi-Polyamide 6

Seals – ROHS compliant silicon rubber, 60 durometer shore-A, compound # SIM40160

Connection

No connection, component provides a wireless signal

Mounting options

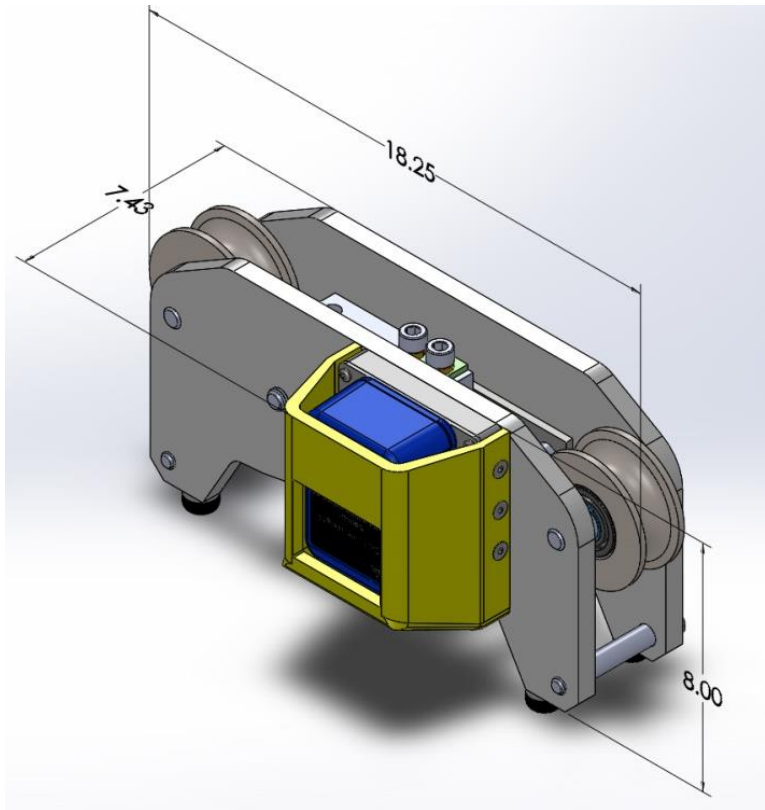
Fitted to line size

Hazardous locations

Exia IIB T4 Intrinsically Safe per IEC CAN/CSA E60079-11:02

Environmental Ingress Protection

IP67



Cranesmart Systems, Inc.
4908 97 St.
Edmonton, AB
T6E 5S1
Ph: 780.437.2986
Email: info@cranesmart.com