



Information subject to change without notice. Consult the factory for the most current data and part numbers.

Component dimensions are shown in inches.

Load Cell Datasheet

Overview

A stainless steel, strain-gauged link component, which accurately senses weight on a lift line and wirelessly transmits data to a central display panel. Various sizes are available according to load capacity (in lb): 7.5K, 15K, 25K, 40K, 50K, 80K, 120K.

Operating time

100% (continuous duty)

Voltage type

Powered by a 3.6 volt D cell lithium battery

Operating temperature

-40°C to +60°C

Operating Frequency Range

900-928 MHz in North America

868-870 MHz in Europe

Material

Body material – 17-4 Stainless steel
H1150

Plastic covers - Northane 75D

Seals – Pre-formed Silicon Rubber Gaskets

Connection

No connection, component provides a wireless signal

Hazardous locations

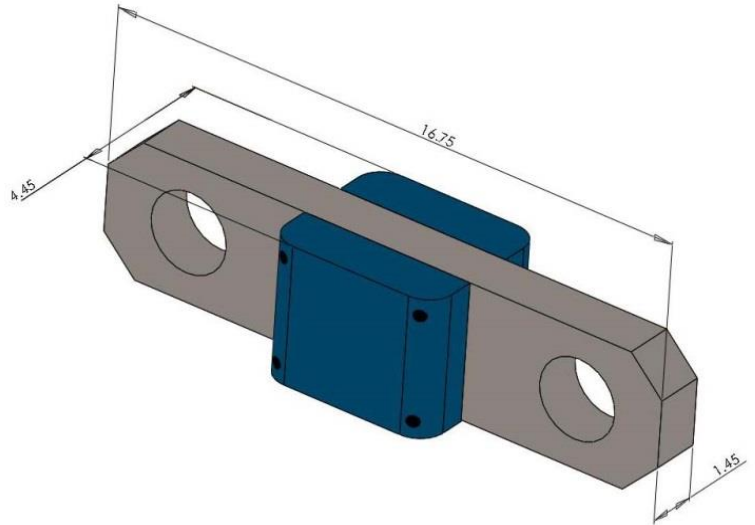
900-UTX 3.6VDC, 30mA Exia IIB T4

INTRINSICALLY SAFE

Certified to: IEC CAN/CSAE60079-11:02

Environmental Ingress Protection

IP67



Cranesmart Systems, Inc.

4908 97 St.

Edmonton, AB

T6E 5S1

Ph: 780.437.2986

Email: info@cranesmart.com