



*\*Information subject to change without notice. Consult the factory for the most current data and part numbers.\**

*\*Component dimensions are in inches.\**

## Boom Direction Transducer Datasheet

### Overview

Uses RFID technology to detect the operational areas in a full 360° rotation. This positional information is then displayed on the user panel.

### Operating time

100% (continuous duty)

### Voltage type

Powered by 12 or 24V DC, supplied by crane

### Operating temperature

-40°C to +60°C

### Material

Body material – Ultramid 8333G Hi-Polyamide 6  
Seals – ROHS compliant silicon rubber,  
60 durometer shore-A, compound # SIM40160

### Connection

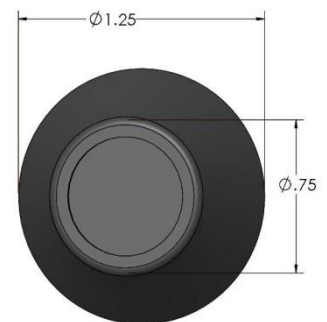
Hard wired to the Cranesmart display

### Hazardous locations

Class 1, Div 2, C&D T4  
Ex nA IIB T4



### RFID Tag



### RFID Tag (side):



**Cranesmart Systems, Inc.**  
4908 97 St.  
Edmonton, AB  
T6E 5S1  
Ph: 780.437.2986  
Email: [info@cranesmart.com](mailto:info@cranesmart.com)