



Load Cell Datasheet

Overview

A stainless steel, strain-gauged link component, which accurately senses weight on a lift line and wirelessly transmits data to a central display panel. Various sizes are available according to load capacity (in lb): 7.5K, 15K, 25K, 40K, 50K, 80K, 120K. All load cells are designed for a minimum safety factor of 5:1.

Operating time

100% (continuous duty)

Voltage type

Powered by a 3.6 volt D cell lithium battery

Operating temperature

-40°C to +60°C

Operating Frequency Range

900-928 MHz in North America

868-870 MHz in Europe

Material

Body material – 17-4 Stainless steel
H1150

Plastic covers - Northane 75D

Seals – Pre-formed Silicon Rubber Gaskets

Connection

No connection, component provides a wireless signal

Hazardous locations

900-UTX 3.6VDC, 30mA Exia IIB T4

INTRINSICALLY SAFE

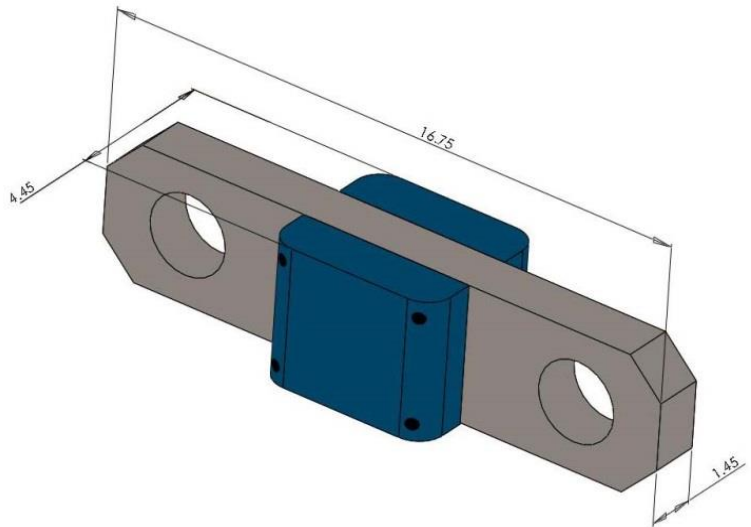
Certified to: IEC CAN/CSAE60079-11:02

Environmental Ingress Protection

IP67

Information subject to change without notice. Consult the factory for the most current data and part numbers.

Component dimensions are shown in inches.



Cranesmart Systems, Inc.

4908 97 St.

Edmonton, AB

T6E 5S1

Ph: 780.437.2986

Email: info@cranesmart.com