



Information subject to change without notice. Consult the factory for the most current data and part numbers.

Component dimensions are shown in inches.

Load Pin Datasheet

Overview

A factory calibrated, free-rotating load sensing device, capable of 360° operation without adjustments. Each load pin is custom-fitted to the necessary application and is designed for a minimum safety factor of 5:1.

Operating time

100% (continuous duty)

Voltage type

Powered by a 3.6 volt D cell lithium battery

Operating temperature

-40°C to +60°C

Material

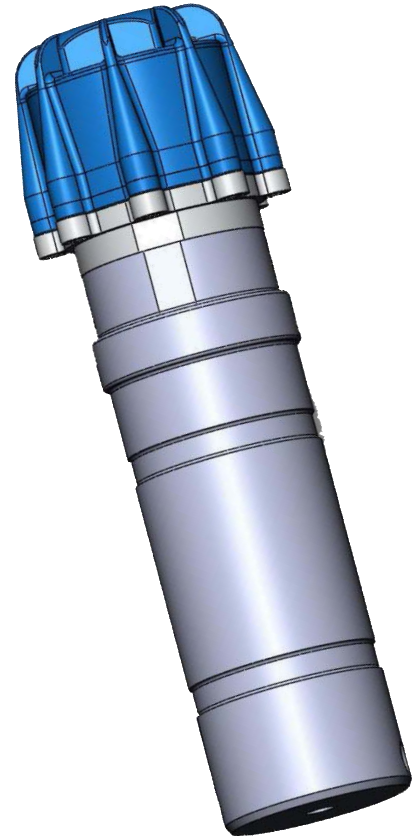
Stainless Steel

Transducer Body material – – Ultramid 8333G Hi-Polyamide 6

Seals – ROHS compliant silicon rubber, 60 durometer shore-A, compound # SIM40160

Connection

No connection, component provides a wireless signal



Cranesmart Systems, Inc.
4908 97 St.
Edmonton, AB
T6E 5S1
Ph: 780.437.2986
Email: info@cranesmart.com